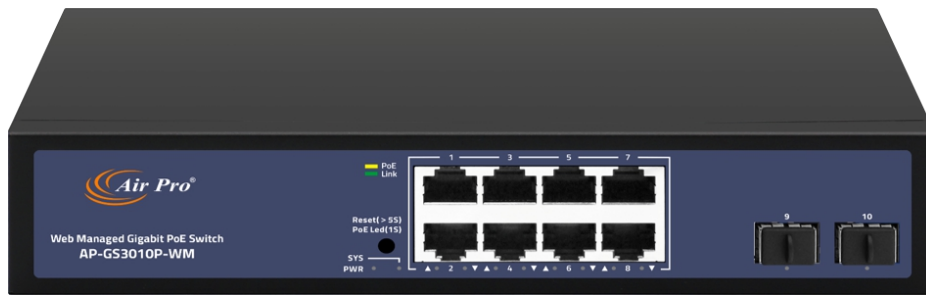


AP-GS3010P-WM

10-port Full Gigabit Web Management PoE switch



FEATURES

- 8 *Gigabit PoE ports+2 *Gigabit SFP optical ports.
- Complies with IEEE802.3, IEEE802.3u, IEEE802.3x, IEEE802.3ab, and IEEE802.3z standards.
- RJ45 port supports 10/100/1000Mbps adaptation.
- Supports automatic port flipping (Auto MDI/MDIX).
- Adopting a storage and forwarding exchange mechanism.
- All ports support line speed switching.
- The panel indicator lights will monitor the working status and assist in fault analysis.
- Support QoS data priority.

PRODUCT SPECIFICATIONS

Hardware Features & Performance

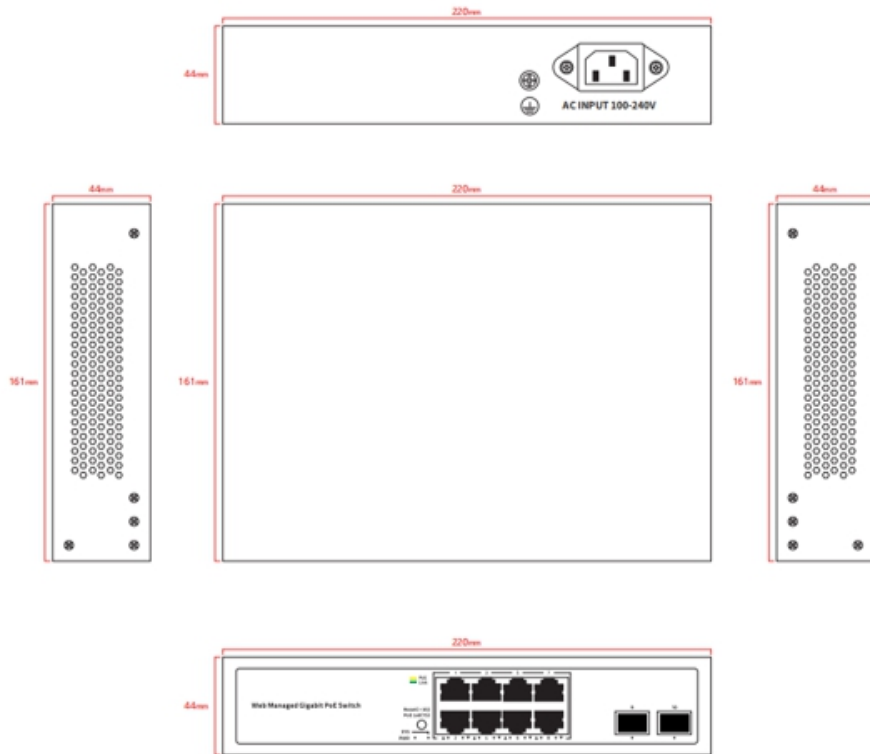
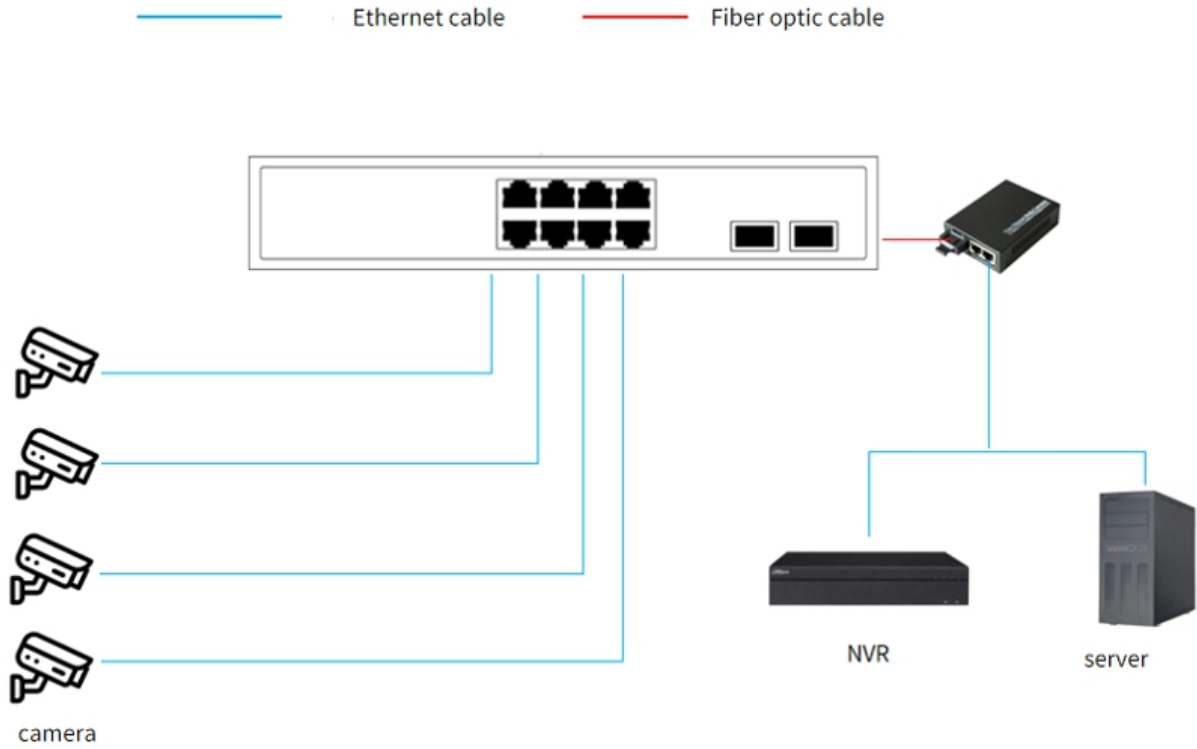
Item	AP-GS3010P-WM	
General	Interface	8*Gigabit PoE ports 2 *Gigabit SFP optical ports
	Port Standard	IEEE 802.3: Ethernet Media Access Control (MAC) Protocol IEEE 802.3i: 10BASE-T Ethernet IEEE 802.3u: 100BASE-TX Fast Ethernet IEEE 802.3ab: 1000BASE-T Gigabit Ethernet IEEE 802.3z: 1000BASE-X Gigabit Ethernet (Fiber optic) IEEE 802.3x: Flow Control
Performance	Switching Capacity	20Gbps
	Packet Forwarding Rate	14.88Mpps
	Packet Buffer	4Mbit
	MAC Address Table	8K
	VLAN	VLAN range 1-4094, maximum active VLAN is 31
	Jumbo Frame	support
PoE	Transmission Method	Store and Forward
	PoE Standard	IEEE802.3af (15.4) IEEE802.3at (30W)
	PoE Port Output Voltage	DC 44-57V
	PoE Ports	Port 1-8 PoE power output <30W
Environment	PoE Power Budget	140W
	Surge Protection	Surge Protection: Common mode 4KV, differential mode 2KV (Class B); Electrostatic ESD: Air 8KV, Contact 6KV (Class C)
	Operating Temperature	0~40°C
	Storage Temperature	-40 °C to 70 °C
	Operation Humidity	10%~90%, non condensing
Physical	Storage Humidity	5%~95%, non condensing
	Power Supply	AC 100-240V 50/60Hz DC 52V 2.88A
	Mainboard Power Consumption	10W
	Structure Information	Product Dimensions : 220 * 161 * 44mm Packaging Dimensions : 315 * 215 * 85mm Product Net Weight: 1.03KG Product Gross Weight: 1.37KG
	Packing Information	Carton Dimensions : 445*445*335mm Packing Quantity: 10PCS Packing Weight: 14.7KG
	Packing List	switch 1pcs, power cord 1pcs, instruction manual 1pcs, certificate of qualification 1pcs
	Fan Quantity	0
	Installation	desktop
Buttons & Indicator Lights	Certification	CE, FCC, RoHS
	PWR	On: Powered on Off: Powered off
	SYS	On: Powered on Off: Powered off
	1-10 Green Light	On: Link norma Off: Link block Flashing: Data transmitting
	1-8 Yellow Light (PoE)	On: PoE power on Off: PoE powered off
RESET/PoE led button	Long press for 6 seconds to restore factory settings/ Short press for 1 second (dual color light selection: default green (link data), switch to yellow light (PoE))	

PRODUCT SPECIFICATIONS

Software Features

Item	AP-GS3010P-WM
L2 Function	
Port	Port Switch configuration, Port Description Port Speed configuration Port Duplex configuration Port Flow Control configuration Jumbo Frame, Up to 9216bytes Green Ethernet, EEE
Link Aggregation	Static Group Up to 2 groups Max. 4 members per group
Storm Control	Boardcast suppression Unknown Multicast Unknown Unicast
Port Mirroring	support
Port Security	MAC Address Constraints
Port Isolation	support
Port Rate-limit	support
Loopback Detection	support
VLAN	Access/Trunk/Hybrid VLAN range 1-4094, maximum active VLAN is 31 Port VLAN
MAC Address	Dynamic MAC address Static MAC address, MAC address lookup
Spanning Tree Protocol	STP/RSTP Edge Port
Multicast	IGMP Snooping IGMP V1/V2 Router Port Static IGMP Join
QoS	Traffic classification, supporting SP and WRR scheduling IP DSCP Priority, Supports up to 4 queues per port Port Priority, 802.1P Priority
PoE	
PoE Configuration	PoE used power PoE Type/Level/Power/Voltage/Current PoE Switch PoE power AF/AT adaptation
Services	
Access Protocol	HTTP
Diagnostics	
Port Statistics	support
Copper	Test support
Equipment Management	
Manager Acces	HTTP SNMP
Manager IP	Static Address DHCP Client
SNMP	V2C Community Trap Host
SNMP MIB	RFC 1213 MIB-II
User Management	support
Firmware Management	Firmware upgrade
Configuration Management	Upload/Backup Configuration
Save	support
Restart	support
Factory Defaults	support
Standard Compliance	
	IEEE 802.3x flow control and back pressure
	IEEE 802.1D Spanning Tree Protocol
	IEEE 802.1w Rapid Spanning Tree Protocol
	IEEE 802.1p Class of Service
	IEEE 802.1Q VLAN tagging
	IEEE 802.3af Power over Ethernet
	IEEE 802.3at Power over Ethernet Plus
	RFC 768 UDP
	RFC 791 IP
	RFC 792 ICMP
	RFC 2068 HTTP
	RFC 1112 IGMP v1
	RFC 2236 IGMP v2

PRODUCT STRUCTURE DIAGRAM



www.airpronetworks.com