

10/100/1000M, 6 Ports PoE Giga Switch

PRODUCT OVERVIEW

Flexible:

Two High Speed Uplink Ports The built-in 2 Gigabit uplink ports provide fast connection to servers or the backplane of the gigabit speed. The effective connectivity of the four 10/100/1000Mbps ports, allows growing business networks, classrooms and workgroups to obtain benefits from the demand for superior performance and sustain network expansion. This high-performance switch features with nonblocking, wire-speed switching. All RJ45 ports can auto adjust the highest connection speed for a normal working, Auto Uplink™ technology can ensure proper network connection.



MAIN FEATURES

- Supply power to 5 classes Ethernet wireless access point (AP) and network surveillance cameras.
- Port 1 to port 4 compatible with IEEE802.3af/at standard power.
- Supply (Maximum power of each port is 30W).
- 4x 10/100 /1000Mbps automatic adjustmentRJ45 ports.
- Meets the standards of the IEEE 802.3 /IEEE 802.3u/IEEE 802.3z and IEEE 802.3ab.
- Flow Control Type: Full duplex adopts IEEE 802.3x standard, half duplex adopts back pressure standard.
- Auto-flip ports (Auto MDI/MDIX).
- Maximum PoE Power: 96W.
- Store-and-forward architecture, 192K forwarding memory.
- All ports support wire-speed switching, frame size within the range of 64 to 1536 can achieve wire-speed.
- Automatic adjustment, plug and play, no need software and protocol conversion.

APPLICATION SITUATIONS:

- Million HD surveillance transmission and power supply.
- Wireless AP distribution transmission and power supply.
- VoIP transmission, intelligent home systems.
- City intelligent traffic monitoring system (ITS), safe city, and wireless city.
- Highway surveillance system, electronic road surveillance, snapshot system.
- Large industrial factory & enterprise security surveillance system, network multifunction system.

PRODUCT SPECIFICATIONS

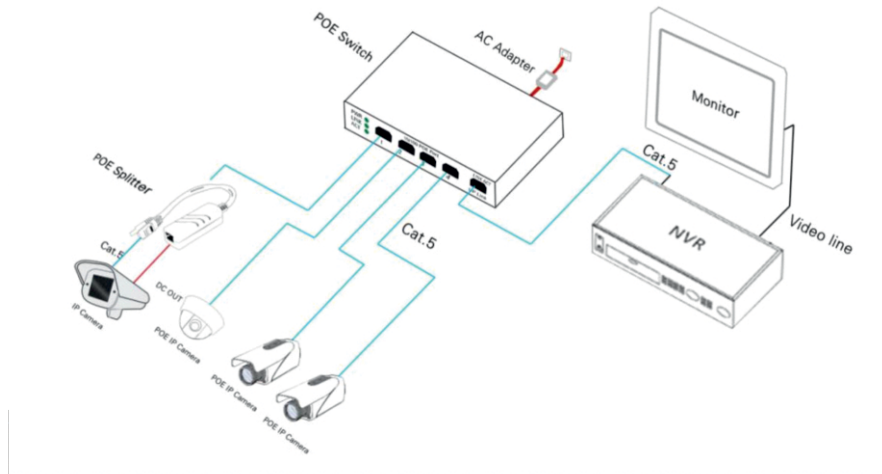
Hardware Specifications

Item	AP-ESG1906P
Product Name	6-Ports PoE Switch with 4 PoE Ports and 1 Ethernet Uplink and 1 Uplink SFP
Model	AP-ESG1906P
Connector Type	6 x 10/100/1000M copper cable RJ45 ports (4* PoE Ports+1* Ethernet Uplink Port + 1*Uplink SFP Port)
Network Media	10BASE-T: Cat3,4,5 UTP (<100 meter) 100BASE-TX: Cat5 or more UTP (≤100 meter) 1000BASE-TX : Cat6 or more (<100 meter)
Performance Specification	Bandwidth: 1.2Gbps (non-blocking) Address Database Size: 2K Packet Forwarding Rate: 1488 Mbps/port Forwarding Mode: Store-and-forward MTBF:100,000 hours
Network Protocols	IEEE 802.3i 10BASET; IEEE 802.3u 100BASETX; IEEE 802.3x Flow Control; IEEE 802.1af DTE Power via MDI; IEEE 802.3af
LED Display	System: power supply; Every Port: connecting, PoE working status
Power Supply	Power input: AC100-240V 50/60Hz; (every country use a custom power plug)
PoE Ports	Port 1-4 support PoE
PoE Port Power	15.4W / 30W for each PoE port
PoE Standard	IEEE 802.3af/at
PoE Feature	All ports support MDI/MDIX
Working Environment	Operating Temperature: -20 °C ~ 55 °C ; Storage Temperature: -40 °C~ 85 °C ; Operating Humidity: 10% ~ 95%, non-condensing
Certification	CE Mark ,commercial; CE/LVD EN60950, RoHS, FCC
Radiation	CE mark, commercial; FCC Part 15 Class B; VCCI Class B; EN 55022 (CISPR 22), Class B
Transmission Distance	Depend on SFP module

ORDER INFORMATION

Product	Description	Note:
AP-ESG1906P-SF	4x Gigabit PoE ports+ 1 x Gigabit Ethernet Uplink +1 x SFP Gigabit Uplink Optical Ports PoE switch, among which port 1-4 supports PoE IEEE 802.3af/at standard, each port power is 15.4W/30W, the whole power is 96W.	SFP module isn't include in the accessories, please order it seperatly.
Accessories in the Package:		
Package	6-Ports 10/100/1000M Switch with 4 PoE ports and 1 Ethernet Uplink and 1 Uplink SFP	
Contents	AC Adapter	
	User Guide	
	Warranty Card	

PHYSICAL APPLICATION REFERENCE



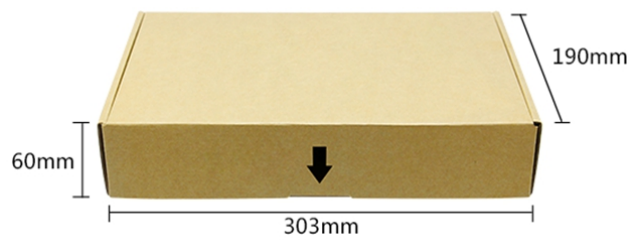
- PHYSICAL PIC REFERENCE:



- DIMENSION (142mm*86mm*33mm, Net Weight:0.32kg/unit)



- PACKAGE DIMENSION (303mm*190mm*60mm, Gross Weight:0.78kg/unit)



www.airpro.in

